

## EN – Instructions for installation of house switches

### Safety during installation

The switch is intended for current up to 10 AX and voltage up to 250 VAC. Therefore, the installation must be performed by a person properly qualified in electrical engineering. Before commencing the installation, always disconnect mains voltage.

### 1. During installation of the switches, the following conditions must be observed:

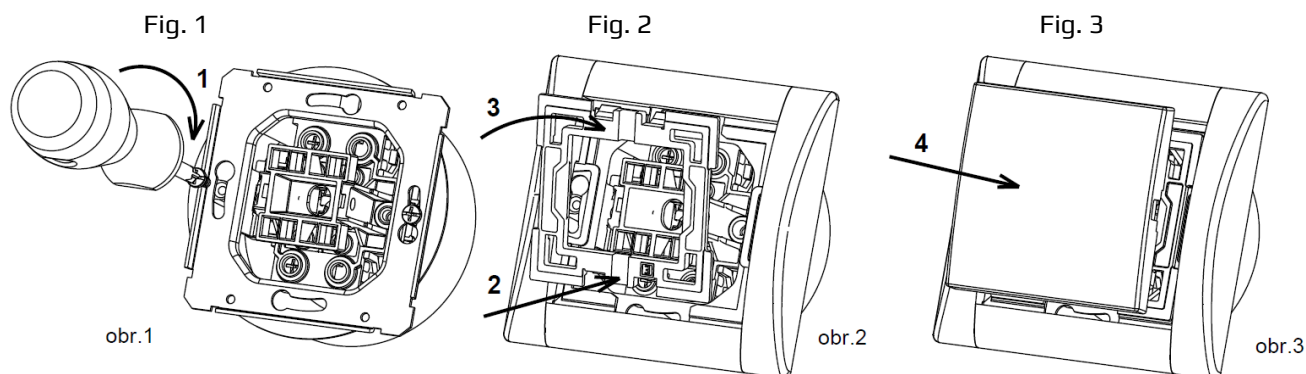
- The switch mounting box must be placed flush with the plaster.
- In case of problems with a “sunk” mounting box, the VK1 or VK2 spacer (distance) rings must be used in order to prevent deformation of the fittings when the screws are tightened.
- The switch is fastened in the mounting box through a sheet-metal frame by means of two screws of 3 mm diameter.
- To install multiple fitting assemblies, it is necessary to use multiple boxes with the spacing of centres of 71 mm.
- It is recommended to place the switches in the mounting boxes at the approximate depth of 42 mm.

### 2. Connection of a switch:

- The switches are suitable for connection of wires with cross-sections of 1.5 mm<sup>2</sup> to 2.5 mm<sup>2</sup>.
- Strip the wires in the maximum length of 10 mm.
- Connect the wires according to the marking on the rear side of the switch.
- After installation of the switch in the box, it is necessary to verify whether the wires are fixed in the fitting terminals correctly and firmly; loose wires should be retightened.

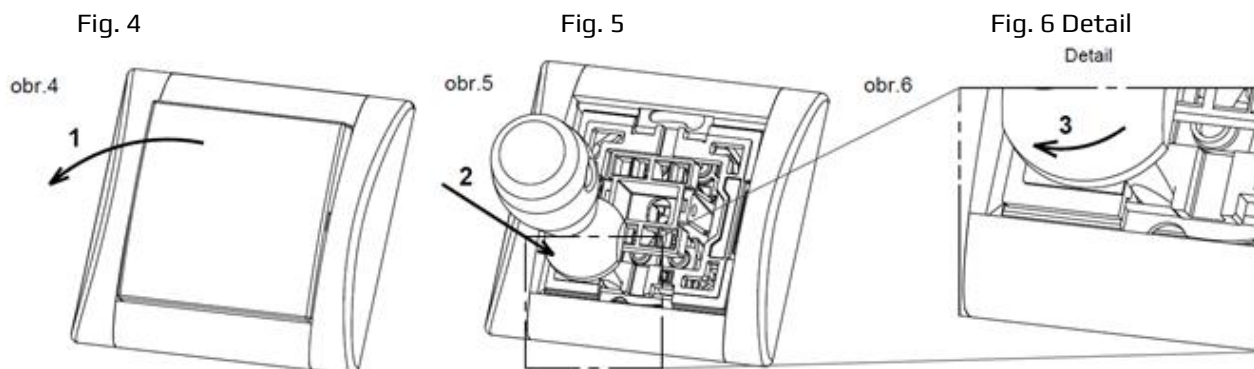
### 3. Finishing the switch installation

- Set the frame onto the switch (Fig. 1).
- Insert the plastic connection part and secure it by slightly pushing from the front (Fig. 2).
- Fix the control cover of the switch and check out its correct function (Fig. 3).



### Disassembly of switches

- Remove the control cover manually by slightly pulling the button at its upper or lower half (Fig. 4).
- Remove the plastic connection part with a screwdriver: turn and release the two locking clips located on either the upper or lower side of the connection part (Fig. 5 and 6).
- Remove the frame.
- After loosening the two screws, you can take out the switch and dismantle the wires.



### Maintenance:

The switch device does not require any maintenance!

Covers of the devices must never be wiped or washed by abrasive cleaning cloths and no aggressive chemicals (petrol, acetone, etc.) may be used on them.

## EN – Instructions for installation of single house socket (with/without a child protection)

### Safety at installation:

The socket is designed for current up to 16 A and voltage up to 250VAC. Therefore, the installation must be performed by a person properly qualified in electrical engineering.

### 1. During installation of the socket, the following conditions must be observed:

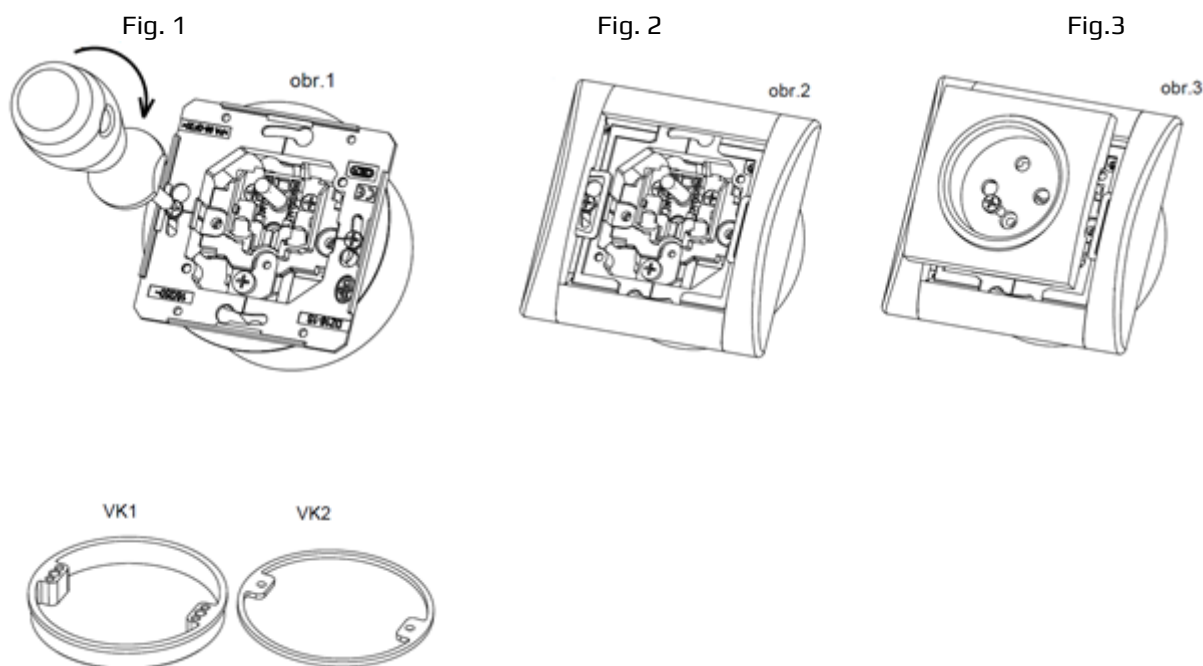
- The socket mounting box must be located flush with the plaster.
- In case of problems with a "sunk" mounting box, the VK1 or VK2 adapter (distance) rings must be used in order to prevent deformation of the fittings when the screws are tightened.
- The socket is fastened in the mounting box though a metal frame by means of two screws of 3 mm diameter.
- To install multiple sets of fittings, it is necessary to use multiple boxes with the spacing of centres of 71 mm.
- It is recommended to place the socket in the mounting box at the approximate depth of 42 mm.

### 2. Socket connection:

- The sockets are suitable for connection of wires of cross-sections of 1.5 mm<sup>2</sup> to 2.5 mm<sup>2</sup>.
- Strip the wires in the maximum length of 10 mm.
- After installation of the socket in the box, it is necessary to check whether the wires are fixed in the fitting terminals correctly and firmly; loose wires should be retightened.

### 3. Finishing the socket installation:

- Set the frame onto the socket.
- Insert the upper cover part and secure it by tightening the screw.



The product contains no hazardous substances; after expiration of its service life, it must be handled in conformity with the waste act in force or pertinent related regulations.