

EN – Instructions for instalation of cooker switch (opt. A) in line ELEGANT, DECENTE, VARIANT

EN – Instructions for instalation of shutter switch (opt. B) in line ELEGANT, DECENTE, VARIANT

Opt. A – Basic function of cooker switch

The switch is designed for switching three-phase appliances up to 16 A and for a voltage of 400 V AC – for example three-phase main switch, cooker (stove) switch or switch for various electrical circuits that must be switchable.

Opt. B - Basic function of shutter switch

The switch is designed for switching single-phase appliances up to 10 A and for a voltage of 230 V. The main function consists in reversing on both sides when reaching approx. 35 °, when reaching 45 ° it gets locked. The switch can be mainly used to control the window rolls, window shutters, garage doors, etc. The shutter control system should not be mounted on moving machines and in places with increased seismic danger (shocks can cause automatic shutdown).

Technical specification

Switch code:

of cooker switch

DSE-21, DSD-21

of shutter switch

DSE-22, DSD-22

Voltage:

400 V AC, 50 Hz

230 V AC, 50 Hz

Current:

16 A

10 A

Cross-section of wires:

from 1,5 mm² to 2,5 mm²

from 1,5 mm² to 2,5 mm²

Switch's weight (without lid):

0,106 kg

0,104 kg

Notice:

The cooker switch is designed for switching three-phase appliances up to 16 A and for a voltage of 400 V AC. The shutter switch is designed for switching single-phase appliances up to 10 A and for a voltage of 230 V. Installation and possible disassembly must be entrusted to a person with appropriate electrical qualification. Always disconnect the mains voltage before installation (or dismantling)!

Do not use a broken or damaged device and secure it against use. If the device is not fitted with visible parts, it must not be energized or operated with.

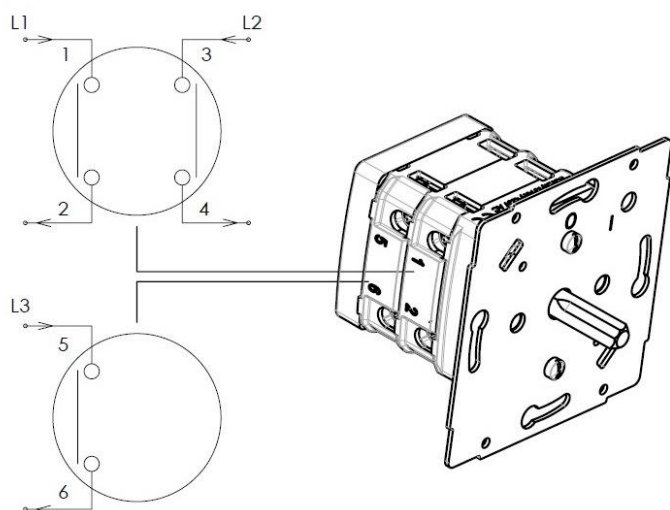
Installation of switch mounting box:

- Use switch mounting box of min. depth 55 mm
- To install multiple fitting assemblies, it is necessary to use multiple boxes with 71 mm spacing of centres
- The switch mounting box must be placed flat (in plane) with the plaster wall.
In case of problems with a "sunk" mounting box, the VK1 or VK2 spacer (distance) rings must be used in order to prevent deformation of the fittings when the screws are tightened.

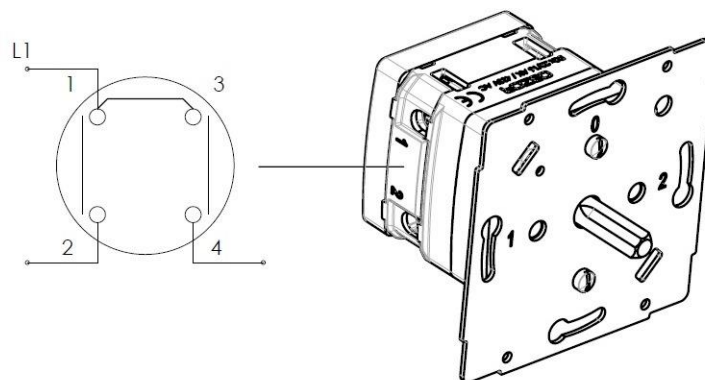
Switch connection:

- Switches are suitable for connection of Cu wires from 1,5 mm² to 2,5 mm² cross-sections
- Strip the wires in the maximum length of 8 mm
- Opt. A: Connect the wires according the wiring diagram: input -connectors 1, 3, 5 and output - connectors 2, 4, 6
- Opt. B: Connect the wires according the wiring diagram: input -connectors 1, 3 and output - connectors 2, 4
- The specified tightening torque for the screws that secure the wires is 1,2 Nm

Connecting diagram of cooker switch



Connecting diagram of shutter switch



Opt. A - Cooker switch function test:

- Turn the shaft of the switch by 45° to the right – position „I“
- Check that all contacts (poles) have been closed
- Turn the shaft of the switch by 45° to the left – position „0“
- Check that all contacts have been opened

Opt. B - Shutter switch function test:

- Turn the shaft of the switch by approx. 35 ° to the right or left "1-2"
- Check that one pole has been closed
- After releasing the switch, it must automatically return to the initial (base) position "0"
- Check that the closed contact has been opened
- Turn the shaft of the switch 45 ° to the right or left "1-2"
- Check that one pole has been permanently closed - the control shaft remains locked in the „ON“ position
- Turn the switch shaft back to the initial (base) position "0"
- Check that the closed contact has been opened

Completion of the switch installation:

- Fix the switch to the mounting box
- Place a design frame and cover on the metal frame of the device and lock it with screws M4.
- Place a rotary control knob and try the right function

Disassembly of cooker switch or shutter switch:

- Remove the rotary knob with a screwdriver by pulling slightly on the side holes (located under the edge of the cover)
- Unscrew the two fixing screws and remove the switch cover and frame
- After loosening the two screws, remove the switch and disconnect the wires

Maintenance:

The switch device does not require any maintenance!

Switch covers must never be wiped or washed by abrasive cleaning cloths and do not use any aggressive chemicals (petrol, acetone, etc.).

The product contains no hazardous substances; after expiration of its service life, it must be handled in conformity with the waste act in force or pertinent related regulations.